

Modular LED Luminaire

HDL 106

Zone 1 Ex emb LED Modular Floodlight / Bulkhead Luminaire

Specification:

Main Body:

Marine Grade Aluminium

Diffuser:

Polycarbonate

Gaskets:

Silicone

External Fasteners:

A4 Stainless Steel

Stirrup Bracket:

316 Stainless Steel

T Rating:

T4

Surface Temp:

103°C

Weight:

6.0kg per module



Key Features:

- Modular construction allows the modules to be supplied interlinked with each other to provide greater light output.
- Can be used as a single unit – small floodlight or bulkhead or linked together to replicate a large 250W/400W floodlight.
- Each module utilises 48 off 1.2W LED's
- Integrated power supply.
- Low power consumption.
- Rugged construction – resistant to vibration.
- Independently photometrically tested.
- All units supplied with 2 cable entries.
- IP66 and IP67.
- Optional wired guard available for extra protection.
- Infra red variants available (for use with security cameras).
- Wide, medium and narrow beam light output available.
- Multiple mounting options available.
- Emergency variant available soon.

In comparison to typical Ex d floodlights:

- 60% less weight.
- 50% less power consumption.
- One man installation.
- LED technology will give a predicted lamp life of 10 years+.
- No light pollution.
- Instant start and restrike.
- No light degradation at low temperatures.
- Penetrating white light.
- Photocell option available.
- No flamepaths to maintain.
- Low cost of installation, operation and maintenance.

Engineering Solutions
Design to Manufacture

HADAR
LIGHTING

Hadar Lighting, Jubilee Industrial Estate, Ashington
Northumberland, NE63 8UG United Kingdom

T: +44 (0) 1670 814 877
F: +44 (0) 1670 858 638

enquiries@hadar-lighting.co.uk

www.hadar-lighting.co.uk

Protection:

II 2GD Ex emb II T4 Gb IP66/67, Ex t IIIC T103°C Db

Certification: ATEX & IEC Ex by SIRA

	Certification	Ambient	Voltage Range	Certificate
HDL106	ATEX & IEC Ex by SIRA	-20°C to +50°C	110V to 254V input 24V AC/DC	IEC Ex SIR09.0064 SIRA 09ATEX5159X

Electrical Specifications:

Electrical Specification			
Lamp Options	Power consumption	Power factor	Available power supplies
48 x 1.2W LED's	60W Max	0.95	110V – 254V 47/63Hz AC/DC or 24V AC/DC
96 x 1.2W LED's	120W Max		
144 x 1.2W LED's	180W Max		

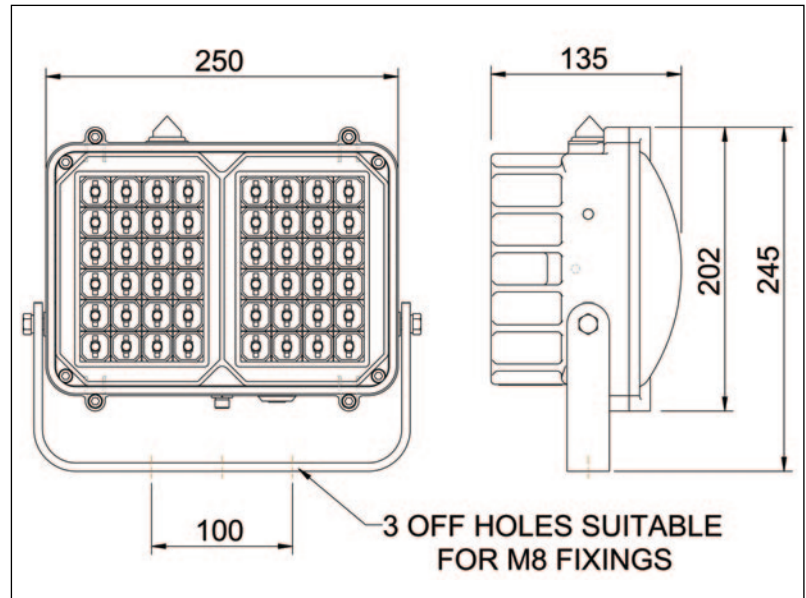
Installation:

Terminals: Up to 4mm² terminals for live, neutral, earth and looping are provided. Internal and external earth as standard.
Cable Entries: 2 x M20, one fitted with approved stopper plug, other entries available on request.
Suspension: Via stirrup bracket, other mounting accessories available.
Installation: Installation document AL10578 supplied.

Ordering Matrix:

Field	Options
Product	HDL106
Version	S – Standard E – Emergency
Version (LEDs)	1 – 48 LEDs 2 – 96 LEDs 3 – 144 LEDs
Voltage	H – 110 - 254V AC only L – 24V AC/DC
Beam Pattern	W – Wide M – Medium N – Narrow
Mount	H – Horizontal mount V – Vertical mount C – Ceiling mount
Light	W – White light R – Infra red light Y – Yellow light
Cable Entries	0 – M20 5 – M25
Other Options	00 – Colour RAL7040 (Grey) 01 – Colour RAL9004 (Black) 02 – Colour RAL9002 (Grey white) 03 – Colour RAL1018 (Yellow)

Dimensions:



Notes:

- 1) Typical ordering reference HDL106S1HMHW000.
- 2) For Photometric Data contact the sales office.



Horizontal mount



Vertical mount